

PRO CHILL&FLOW™ MICRO CHILLER SYSTEM SERIES
3/4 HP PACKAGED AIR COOLED

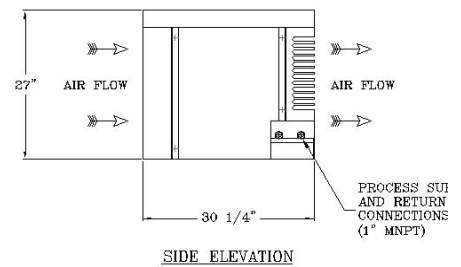
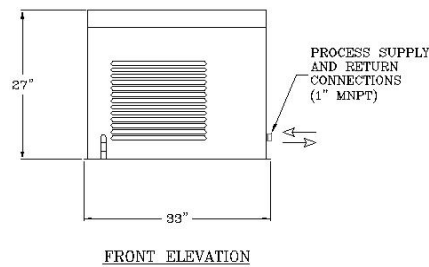
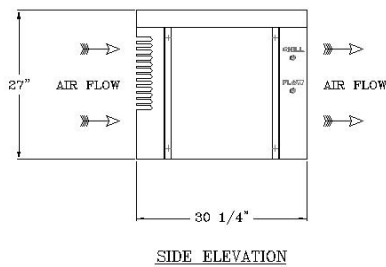
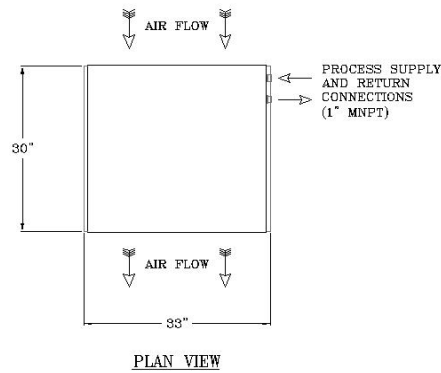
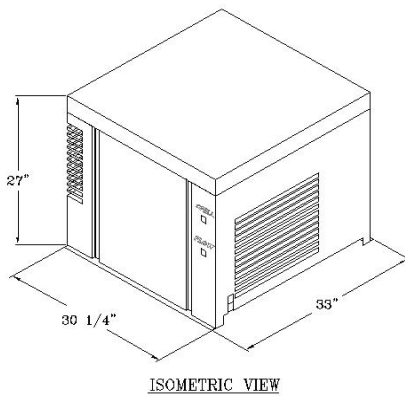
		PHYSICAL DATA					ELECTRICAL DATA		
							MINIMUM CIRCUIT AMPACITY (MCA) MAXIMUM OVERCURRENT PROTECTION (MOP)		
CHILL&FLOW SYSTEM	MODEL	CAPACITY 28°F GLYCOL 90°F COND 10°F SUBCOOL	TANK CAPACITY (GAL)	DIMENSIONS L X W X H (INCHES)	SHIP WEIGHT (LBS)	OPERATING WEIGHT (LBS)	120V 1PH 60HZ MCA/MOP	208- 230V/1PH/60HZ MCA/MOP	GLYCOL FITTING CONNECTION SIZES
3/4 HP	PE1008B1R405-A	5,950	5	33 X 30 X 27	400	450	23/38	11/18	1 IN

THE CHILL&FLOW SYSTEM IS DESIGNED WITH THE FOLLOWING STANDARD EQUIPMENT

- Complete R404A Refrigerant Operating Charge
- Emerson Air Cooled Condensing Unit
- Grundfos Glycol Circulation "CHILL" Pump
- Grundfos Glycol Process "FLOW" Pump
- High Efficient Brazed Plate Evaporator
- 5 Gallon Insulated Glycol Storage Reservoir
- Electronic Temperature Control With Digital Display
- Factory Tested and Shipped With a Complete Refrigerant Charge
- Removable Top and Side Service Panels for Service and Maintenance Access
- Optional Stainless Steel or Powder Coated Skin Package and Caster Set

**A COMPACT CHILLER SYSTEM
 DESIGNED SPECIFICALLY FOR
 APPLICATIONS REQUIRING
 CHILLED GLYCOL IN THE RANGE
 OF 20°F TO 35°F.**

3/4 HP CHILL&FLOW CHILLER SYSTEM



PRO REFRIGERATION INC
 PO BOX 1528
 AUBURN, WA 98071
 WWW.PROCHILLER.COM



PHONE: 253-735-9466
TOLL FREE: 800-845-7781
FAX: 253-735-2631
INFO@PROREFRIGERATION.COM