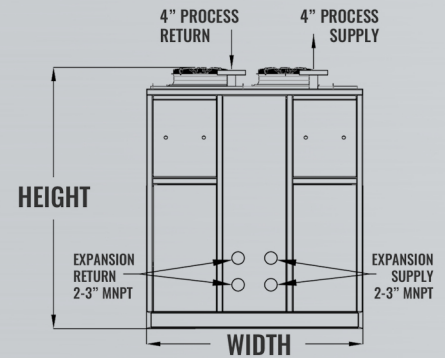
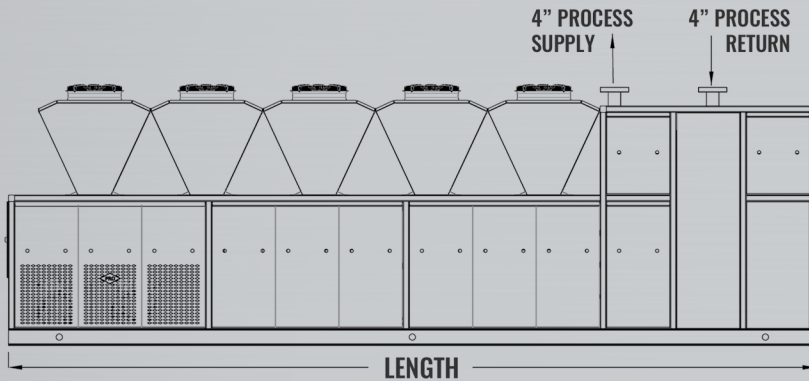


REVOLUTION SERIES™

MODEL	COMPRESSORS		ESTIMATED COOLING CAPACITY								PUMPS			
	TOTAL HP	QTY/HP	20°F (-6.7°C) Leaving Fluid 90°F (32°C) Ambient		25°F (-4°C) Leaving Fluid 90°F (32°C) Ambient		30°F (-1°C) Leaving Fluid 90°F (32°C) Ambient		35°F (1.6°C) Leaving Fluid 90°F (32°C) Ambient		CIRCULATION		PROCESS	
			BTU/HR	kW	BTU/HR	kW	BTU/HR	kW	BTU/HR	kW	QUANT/HP	RPM	QUANT/HP	RPM
PB280B130R42000-A-VD	160 HP	2 EA 80 HP	932,000	273.1	1,056,000	309.5	1,192,999	349.6	1,342,000	393.3	2 EA 10 HP	1750	2 EA 15 HP	3450
PB290B167R42000-A-VD	180 HP	2 EA 90 HP	1,100,000	322.4	1,240,000	363.4	1,394,000	408.5	1,562,000	457.8	2 EA 10 HP	1750	2 EA 15 HP	3450
PB2110B167R42000-A-VD	220 HP	2 EA 110 HP	1,398,000	409.7	1,572,000	460.7	1,762,000	516.4	1,970,000	577.3	2 EA 10 HP	1750	2 EA 15 HP	3450



TOTAL HP	MATERIAL		TANK SIZE	EXPANSION Connections SIZE	PROCESS Connections SIZE	DIMENSION (inches)			ESTIMATED WEIGHT		ELECTRICAL	
	FRAME	HOUSING				LENGTH	WIDTH	HEIGHT	SHIPPING	OPERATING	Minimum Circuit Ampacity	Max Overcurrent Protection
160 HP	COATED STEEL	GALVANIZED SHEET METAL	2000 Gal.	4 EA 3 INCH FMPT	4 INCH FLANGE	381	102	124	21500 LBS	41000 LBS	460/3/60	460/3/60
180 HP	COATED STEEL	GALVANIZED SHEET METAL	2000 Gal.	4 EA 3 INCH FMPT	4 INCH FLANGE	381	102	124	21500 LBS	41000 LBS	432 AMPS	576 AMPS
220 HP	COATED STEEL	GALVANIZED SHEET METAL	2000 Gal.	4 EA 3 INCH FMPT	4 INCH FLANGE	428	102	124	26500 LBS	46000 LBS	473 AMPS	635 AMPS
											513 AMPS	693 AMPS



PRO REFRIGERATION, INC.

326 8TH ST SW
AUBURN, WA 98001

319 FARMINGTON RD
MOCKSVILLE, NC 27028

WWW.PROCHILLER.COM
PARTS - PROCHILLERPARTS.COM
TECH SUPPORT - MYCHILLER.COM
INFO@PROREFRIGERATION.COM

800.845.7781

