

Ball valve type 127 ABS 100-230V
With manual emergency override
With solvent cement sockets metric

Model:

- Built with electric actuator EA15
- Voltage 100-230V, 50-60Hz
- Factory set control range 90°<
- Heating element, position feedback (Open/Close)
- Integrated stainless steel mounting inserts

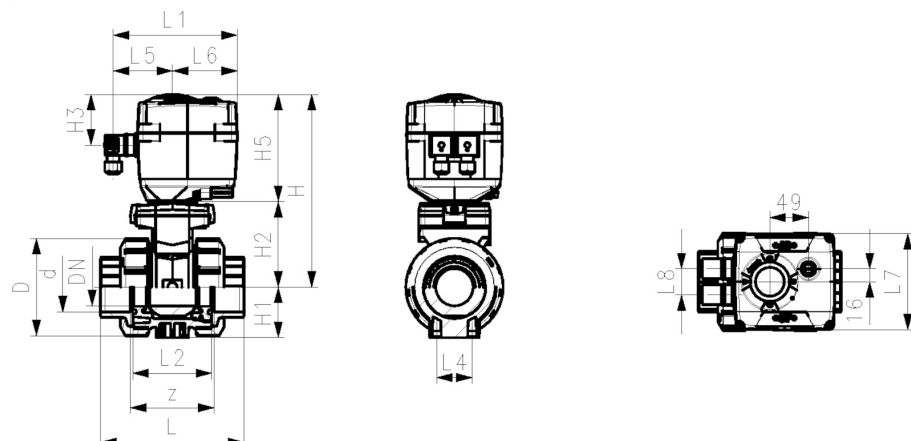
Option:

- Other valve and actuator configurations available
- Fail-safe return unit

d	DN	PN	Cv-value	EPDM	weight
(mm)	(mm)	(bar)	(l/min)	Part No.	(kg)
16	10	10	70	199 127 082	2.072
20	15	10	185	199 127 083	2.072
25	20	10	350	199 127 084	2.189
32	25	10	700	199 127 085	2.261
40	32	10	1000	199 127 086	2.465
50	40	10	1600	199 127 087	2.648
63	50	10	3100	199 127 088	3.222

d	D	H	H1	H2	H3	H5	L	L1	L2	L4	L5	L6	L7	L8	z
(mm)	(mm)	(mm)	(mm)	(mm)	(mm)	(mm)	(mm)	(mm)	(mm)	(mm)	(mm)	(mm)	(mm)	(mm)	(mm)
16	50	200	27	64	64	137	92	161	56	25	77	83	122	33	64
20	50	200	27	64	64	137	95	161	56	25	77	83	122	33	64
25	58	209	30	73	64	137	110	161	65	25	77	83	122	33	72
32	68	209	36	73	64	137	123	161	71	25	77	83	122	33	79
40	84	220	44	84	64	137	146	161	85	45	77	83	122	33	94
50	97	220	51	84	64	137	157	161	89	45	77	83	122	33	95
63	124	243	64	106	64	137	183	161	101	45	77	83	122	33	107

d	closest
(mm)	inch
	(inch)
16	3/8
20	1/2
25	3/4
32	1
40	1 1/4
50	1 1/2
63	2



Data sheet

valid from: 7/31/19



The technical data are not binding. They neither constitute expressly warranted characteristics nor guaranteed properties nor a guaranteed durability. They are subject to modification. Our General Terms of Sale apply.

Georg Fischer Piping Systems Ltd, Postfach, CH-8201 Schaffhausen/Switzerland

Phone +41 -(0)52-631 1111

e-mail: info.ps@georgfischer.com

Internet: <http://www.gfps.com>