

Customer: ---

Submittal No.: **SUBMITTAL**

Model: **DPV3604099**

Drawn By: **BJH**

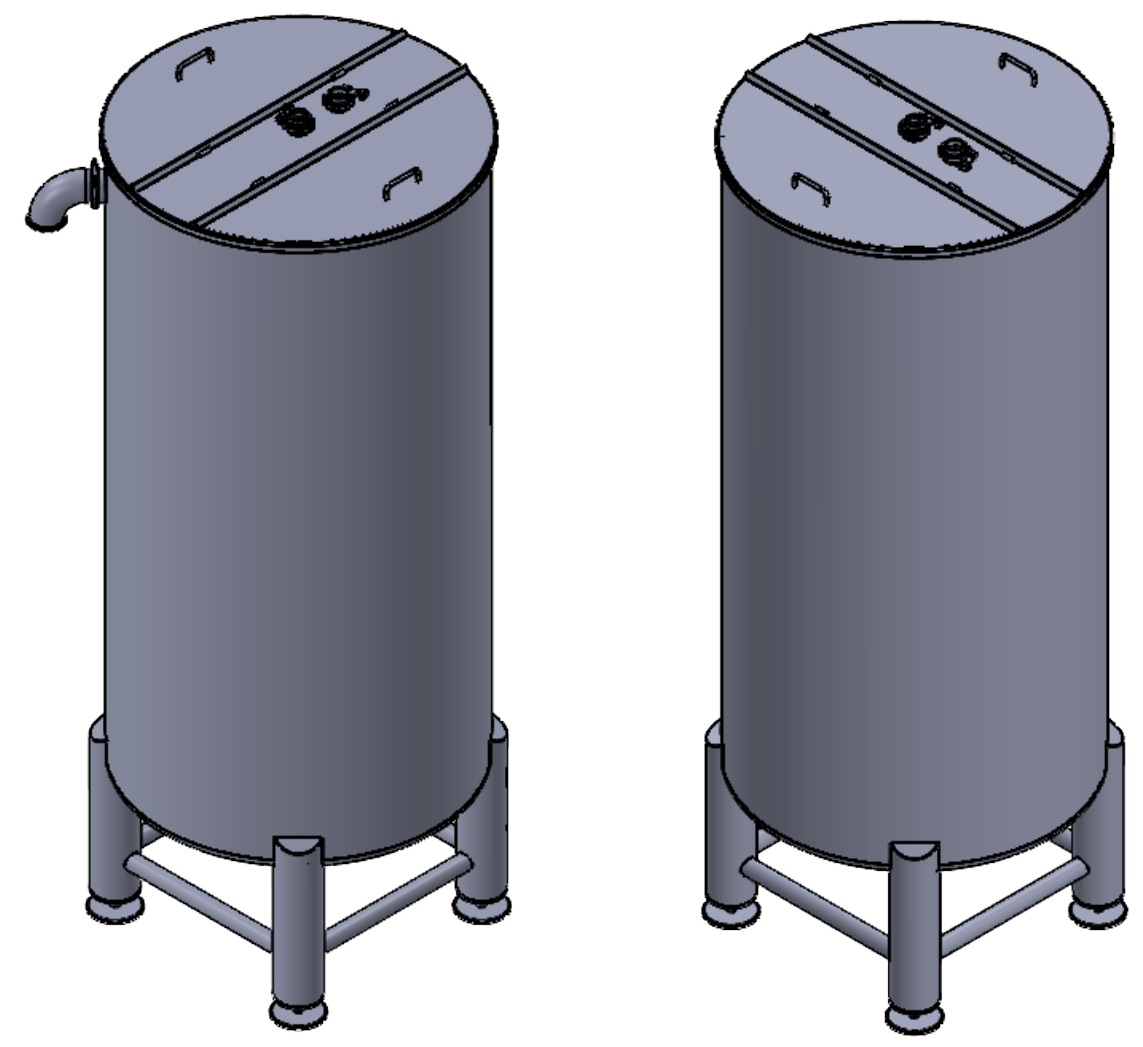
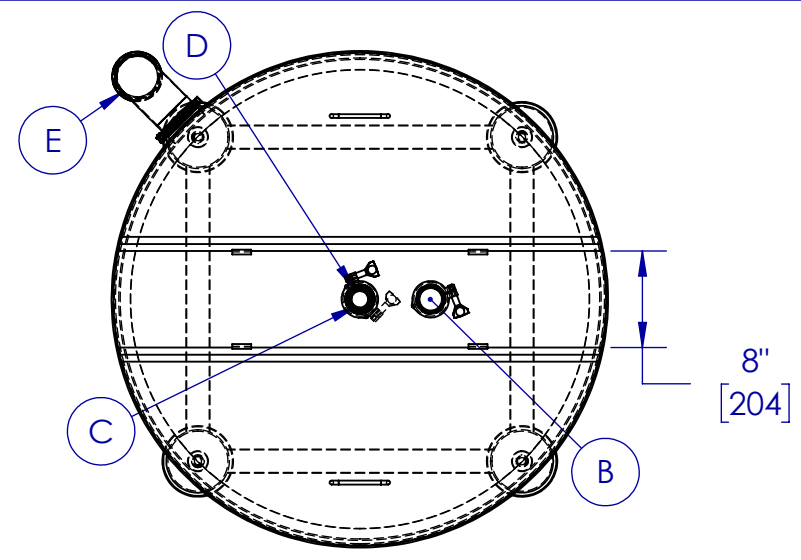
Date: **6/1/2020**

Rev.	Date	Description
2	3/30/21	ADD SPRAY DISK, RQW

Notes:

SOLD BY:
PRO Refrigeration, Inc.
 326 8th Street SW Auburn, WA 98001
 T: (253) 735-9466 / F: (253) 735-2631
 www.prochiller.com

DAIRYPro Vat



DESIGN DATA

DESCRIPTION	UNITS	VARIABLE
WORKING PRESSURE	Mpa	NORMAL PRESSURES
DESIGN PRESSURE	Mpa	NORMAL PRESSURES
WORKING TEMP	°F (°C)	23 (-5)~122 (50) °
DESIGN TEMP	°F (°C)	14 (-10)~122 (50) °
MATERIAL	GRADE	304 SS
FULL VOLUME	GAL (L)	437 (1655)
EFFECTIVE VOLUME	GAL (L)	360 (1363)

CONNECTION TABLE

NO.	NAME	CONNECTION SIZE	CONNECTION TYPE
A	DRAIN	2"	TRI-CLAMP
B	SENSOR PORT	2.5"	TRI-CLAMP
C	CIP (SPRAY DISK)	2"	TRI-CLAMP
D	CIP CONNECTION	2"	TRI-CLAMP
E	VENT	4"	TRI-CLAMP

