

# Product data sheet

Specifications



## Harmony, 22mm Push Button, add on contact block, 1 NO, screw clamp terminal

ZBE101

Product availability : Stock - Normally stocked in distribution facility

**Price\* : 16.40 USD**

### Main

Range of Product	Harmony XB5 Harmony XB4
Product or Component Type	Contact block
Device short name	ZBE
Sale per indivisible quantity	5
IP degree of protection	IP20 IEC 60529
Contact operation	Slow-break
Contact block type	Single
Contacts usage	Standard contacts
Connections - terminals	Screw clamp terminals, $\leq 2 \times 1.5 \text{ mm}^2$ with cable end EN 60947-1 Screw clamp terminals, $\geq 1 \times 0.22 \text{ mm}^2$ without cable end EN 60947-1

### Complementary

Net Weight	0.02 lb(US) (0.011 kg)
Contacts type and composition	1 NO
Positive opening	Without
Operating travel	0.10 in (2.6 mm) NO changing electrical state) 0.17 in (4.3 mm) total travel)
Operating force	2.3 N NO changing electrical state
Mechanical durability	10000000 cycles
Tightening torque	7.08...10.62 lbf.in (0.8...1.2 N.m) EN 60947-1
Shape of screw head	Cross pozidriv No 1 Slotted flat $\varnothing 4 \text{ mm}$ Slotted flat $\varnothing 5.5 \text{ mm}$
Contacts material	Silver alloy (Ag/Ni)
Short-circuit protection	10 A cartridge fuse gG EN/IEC 60947-5-1
[Ith] conventional free air thermal current	10 A EN/IEC 60947-5-1
[Ui] rated insulation voltage	600 V 3)EN 60947-1
[Uimp] rated impulse withstand voltage	6 kV EN 60947-1
[Ie] rated operational current	3 A 240 V, AC-15, A600 EN/IEC 60947-5-1 6 A 120 V, AC-15, A600 EN/IEC 60947-5-1

\* Price is "List Price" and may be subject to a trade discount – check with your local distributor or retailer for actual price.

0.1 A 600 V, DC-13, Q600 EN/IEC 60947-5-1  
 0.27 A 250 V, DC-13, Q600 EN/IEC 60947-5-1  
 0.55 A 125 V, DC-13, Q600 EN/IEC 60947-5-1  
 1.2 A 600 V, AC-15, A600 EN/IEC 60947-5-1

<b>Electrical durability</b>	1000000 cycles, AC-15, 2 A 230 V 3600 cyc/h 0.5 EN/IEC 60947-5-1 appendix C 1000000 cycles, AC-15, 3 A 120 V 3600 cyc/h 0.5 EN/IEC 60947-5-1 appendix C 1000000 cycles, AC-15, 4 A 24 V 3600 cyc/h 0.5 EN/IEC 60947-5-1 appendix C 1000000 cycles, DC-13, 0.2 A 110 V 3600 cyc/h 0.5 EN/IEC 60947-5-1 appendix C 1000000 cycles, DC-13, 0.5 A 24 V 3600 cyc/h 0.5 EN/IEC 60947-5-1 appendix C
------------------------------	---

<b>Mounting of block</b>	Front mounting
--------------------------	----------------

<b>Electrical composition code</b>	C1 9) C2 7) C3 6) C4 4) C5 5) C6 3) C7 4) C8 2) C9 3) C12 6) M1 6) M2 4) M3 4) M5 2) M6 2) M7 6) M8 4) M9 2) SF1 3) SF2 2) MF1 2) MF2 2) C10 2) M4 2) C13 1)
------------------------------------	--

<b>Device presentation</b>	Basic element
----------------------------	---------------

## Environment

<b>Protective treatment</b>	TH
-----------------------------	----

<b>Ambient Air Temperature for Storage</b>	-40...158 °F (-40...70 °C)
--	----------------------------

<b>Ambient Air Temperature for Operation</b>	-40...158 °F (-40...70 °C)
--	----------------------------

<b>Standards</b>	CSA C22.2 No 14 EN/IEC 60947-5-1 UL 508 EN/IEC 60947-1 JIS C8201-5-1 EN/IEC 60947-5-4 JIS C8201-1
------------------	---

<b>Product Certifications</b>	CCC UL DNV GL GOST LROS (Lloyds register of shipping) BV CSA
-------------------------------	---

<b>Vibration resistance</b>	5 gn 2...500 Hz)IEC 60068-2-6
-----------------------------	-------------------------------

<b>Shock resistance</b>	30 gn 18 ms) half sine wave acceleration IEC 60068-2-27 50 gn 11 ms) half sine wave acceleration IEC 60068-2-27
-------------------------	--

## Ordering and shipping details

<b>Category</b>	22469-PUSHBUTTON,22MM ACCESSORIES-NEW
-----------------	---------------------------------------

<b>Discount Schedule</b>	CS2
--------------------------	-----

<b>GTIN</b>	3389110089479
-------------	---------------

<b>Returnability</b>	Yes
----------------------	-----

<b>Country of origin</b>	FR
--------------------------	----

## Packing Units

Unit Type of Package 1	PCE
Number of Units in Package 1	1
Package 1 Height	0.39 in (1.000 cm)
Package 1 Width	0.98 in (2.500 cm)
Package 1 Length	1.18 in (3.000 cm)
Package 1 Weight	0.32 oz (9.000 g)
Unit Type of Package 2	BB1
Number of Units in Package 2	5
Package 2 Height	1.77 in (4.500 cm)
Package 2 Width	2.17 in (5.500 cm)
Package 2 Length	2.17 in (5.500 cm)
Package 2 Weight	1.83 oz (52.000 g)
Unit Type of Package 3	S03
Number of Units in Package 3	800
Package 3 Height	11.81 in (30 cm)
Package 3 Width	11.81 in (30 cm)
Package 3 Length	15.75 in (40 cm)
Package 3 Weight	19.36 lb(US) (8.783 kg)

## Offer Sustainability

Sustainable offer status	Green Premium product
California proposition 65	WARNING: This product can expose you to chemicals including: Di-isodecyl phthalate (DIDP), which is known to the State of California to cause birth defects or other reproductive harm. For more information go to <a href="http://www.P65Warnings.ca.gov">www.P65Warnings.ca.gov</a>
REACH Regulation	<a href="#">REACH Declaration</a>
REACH free of SVHC	Yes
EU RoHS Directive	Pro-active compliance (Product out of EU RoHS legal scope) <a href="#">EU RoHS Declaration</a>
Toxic heavy metal free	Yes
Mercury free	Yes
China RoHS Regulation	<a href="#">China RoHS declaration</a>
RoHS exemption information	<a href="#">Yes</a>
Environmental Disclosure	<a href="#">Product Environmental Profile</a>
Circularity Profile	<a href="#">End of Life Information</a>
WEEE	The product must be disposed on European Union markets following specific waste collection and never end up in rubbish bins.

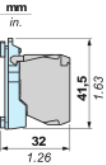
## Contractual warranty

Warranty	18 months
----------	-----------

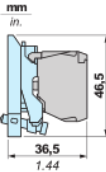
**Dimensions**

---

**with ZB5AZ009 Fixing Collar**



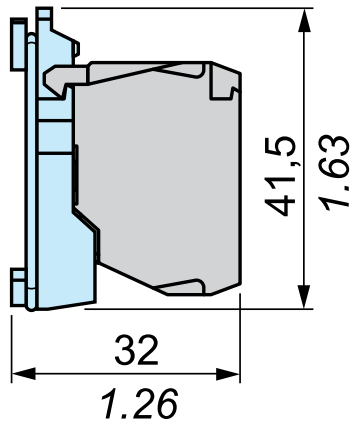
**with ZB4BZ009 Fixing Collar**



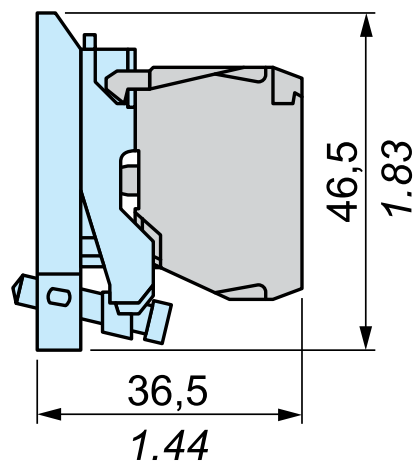
Dimensions

mm  
in.

+ ZB5AZ009



+ ZB4BZ009



Recommended replacement(s)